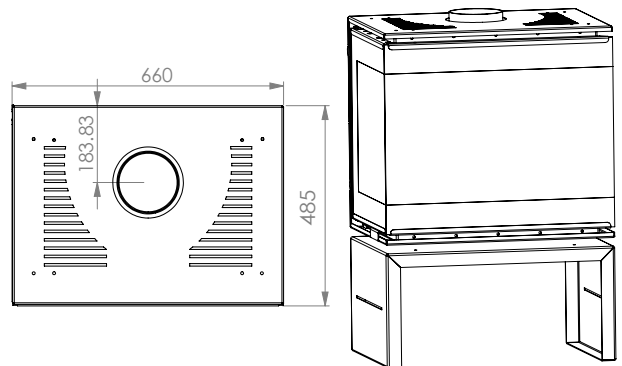
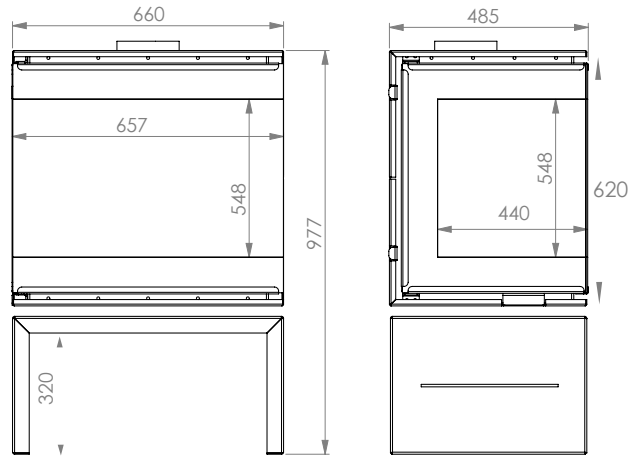


TECHNICAL DRAWING



TECHNICAL SPECIFICATION

| | |
|----------------------------|--------------------------|
| WEIGHT | 116 KG |
| POWER | 7-12 KW |
| EFFICENCY | >80% |
| CONSUME | 2 - 3.5 kg/h |
| FLUE GAS TEMEPATURE | 220 ° C |
| PIPE DIAMETER | Ø 180 mm |
| CO | < 1250 mg m ³ |
| WARRANTY | 5 years |

DIMENSIONS

| | |
|--------|--------|
| Height | 977 mm |
| Depth | 485 mm |
| Width | 660 mm |