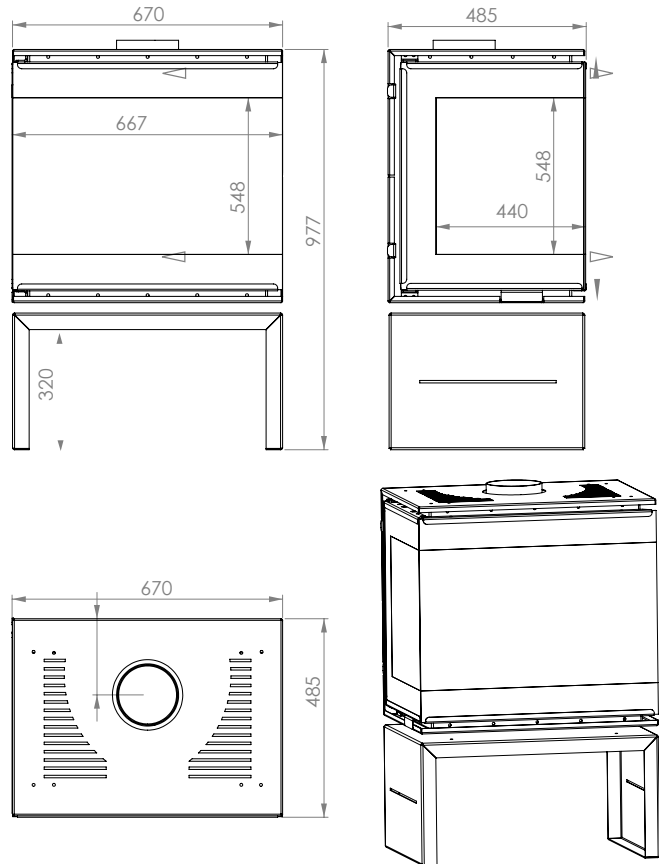


TECHNICAL DRAWING



TECHNICAL SPECIFICATION

WEIGHT	136 KG
POWER	7-12 KW
EFFICENCY	>80%
CONSUME	2 - 3.5 kg/h
FLUE GAS TEMPERATURE	220° C
PIPE DIAMETER	Ø 180 mm
CO	< 1250 mg m ³
WARRANTY	5 years

DIMENSIONS

Height	977 mm
Depth	485 mm
Width	670 mm